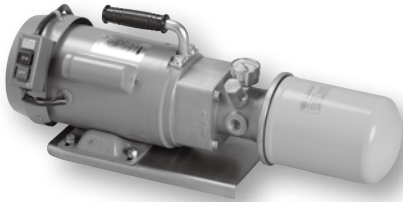


### Basic Model Off-line Filter for oil cleanliness improvement



#### Characteristics

##### 【FP-400 series】

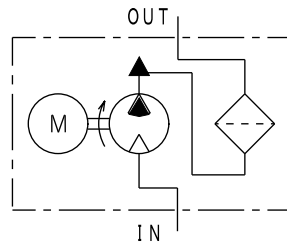
- Handy type filtration unit is appropriate to new oil filtration
- Easy maintenance by spin-on cartridge replacement

##### 【FP-750/1500 series】

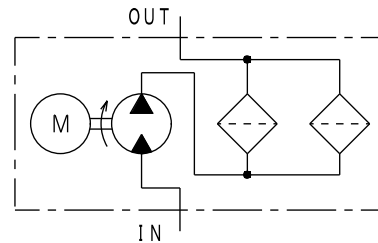
- Cart type filtration unit enables movable filtration at several locations
- High performance C-fiber element and other filtration rating are selectable

#### Effects

- Prevention of sudden machine breakdown
- Stable machine operation
- Long service life of oil



FP-400,750



FP-1500S-5060

### SPECIFICATION

Corresponding fluid	Oil type	Mineral oil
	Kinematic viscosity	mm <sup>2</sup> /s Under300 (standard)
Max working pressure	°C	80
Cracking pressure	MPa	0.3

Specification / Model code		400Y-2512	400Y-1318	750S-4030	1500S-5060A
Pump	Flow rate ℓ/min	50Hz	12.0	30.0	58.5
		60Hz	14.4	36.0	70.2
	Discharge pressure MPa	50Hz	0.4	0.55	0.8
	60Hz	0.35		0.6	
	IN·OUT inner diameter		Rc1/2	Rc3/4	Rc1 1/4
Motor	Voltage V	Single phase 100/200		3 phase 200	
	Output kW		0.4	0.75	1.5
Accessory	Suction strainer	Model : SFW-04S (Option)		Y-type suction strainer	
	Braid hose	IN: φ 22x2.0m/OUT: φ 18x2.0m		IN/OUT: φ 19x2.0m	IN/OUT: φ 32x2.0m
Weight	Kg	15	18	60	122

### MODEL CODE

(Model code example)

**FP** - **400Y** - **1318** - **3C** - **1**

Code	Type
400Y	Handy
750S	Cart
1500S	Cart

Code	Element size
2512	φ 95xL135
1318	φ 130xL180
4030	φ 152xL426 (Single type)
5060A	φ 152xL426 (Duplex type)

Code	Filtration rating
	C-Fiber
3C	3 μm
8C <sup>*1</sup>	8 μm
	Paper
10U	10 μm

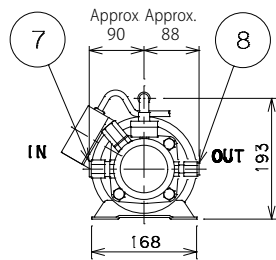
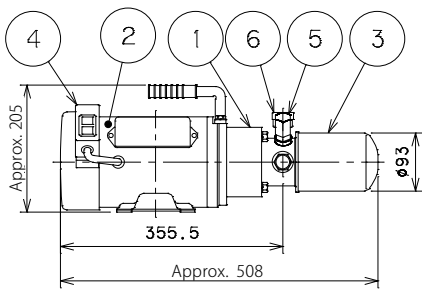
Refer to P.15 -16 for detail information of filter element.

Code	Voltage	
Only for FP-400Y		
1	100V	Standard
2	200V	Special*
FP-750S/1500S		
Blank	200V	Standard**

\* Please ask us for 200V since price and delivery are different with standard.  
\*\* Please ask us for special specification : overseas spec (different AC voltage).

\* 1 8C (8 μm) is only for FP-750S and FP-1500S.

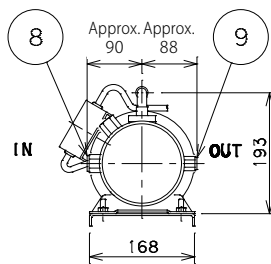
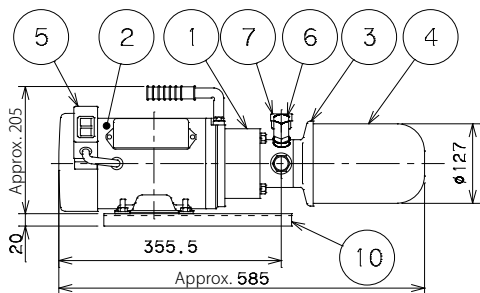
**FP-400Y-2512-□□**



Spare cartridge model  
L-913-□□

No.	Item	Qty
1	Pump	1
2	Motor	1
3	Cartridge filter	1
4	Push switch	1
5	Relief valve	1
6	Pressure gauge Model : ut-3	1
7	In-side hose nipple	1
8	Out-side hose nipple	1

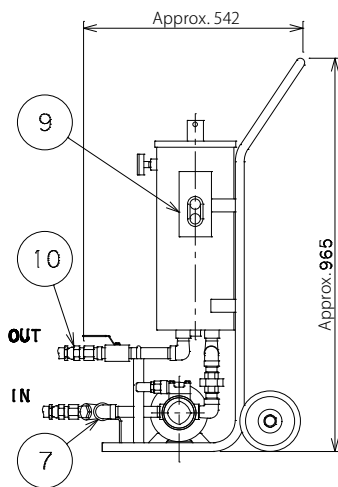
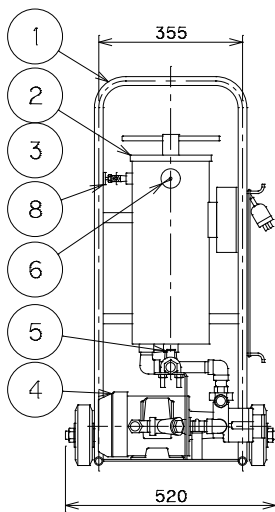
**FP-400Y-1318-□□**



Spare cartridge model  
N-1318-□□

No.	Item	Qty
1	Pump	1
2	Motor	1
3	Cartridge adapter	1
4	Cartridge filter	1
5	Push switch	1
6	Relief valve	1
7	Pressure gauge Model : ut-3	1
8	In-side hose nipple	1
9	Out-side hose nipple	1
10	Base	1

**FP-750S-4030-□□**



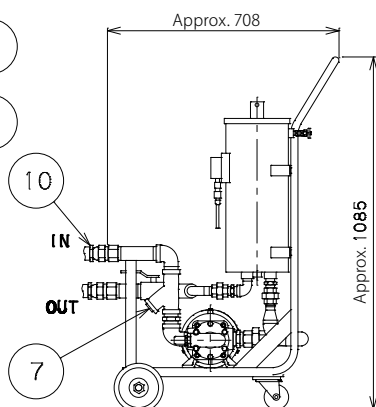
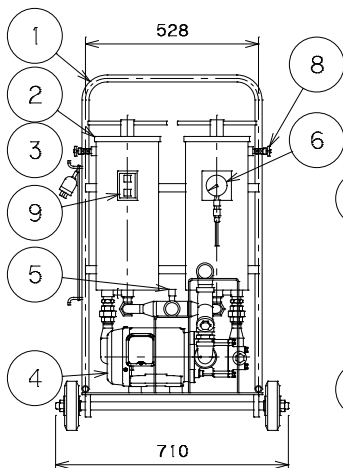
Spare element model  
P-LCN-6-□□

**Sealing part**

★ Parts quantity is for 1 filter case.

	Filter case Cover part packing	Filter element Upper O-ring	Filter element Lower O-ring
Size	t3x φ 194/ φ 178	JIS B2401,1A P20	AS568-243
Qty	1	1	2

**FP-1500S-5060-□□**



Spare element model  
P-LCN-6-□□

**Sealing part**

★ Parts quantity is for 1 filter case.

	Filter case Cover part packing	Filter element Upper O-ring	Filter element Lower O-ring
Size	t3x φ 194/ φ 178	JIS B2401,1A P20	AS568-243
Qty	1	1	2