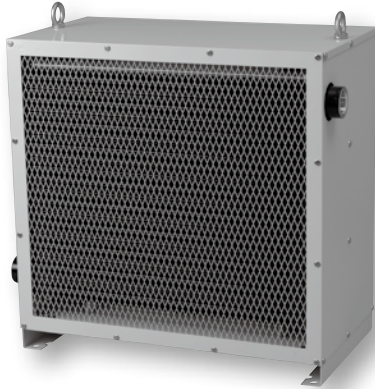
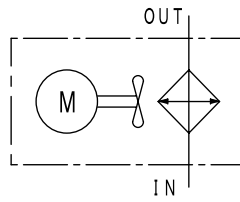


### Box shaped Air-Cooled type Oil Cooler



#### Characteristics

- Radiator and fan motor are fully covered by case (H1, V1 model)
- Fan guard is selectable instead of case as an option (HS1, VS1 model)
- Fan motor is selectable from 3 phase AC 300V class and 400V class
- Various installation types are available: Horizontal, Vertical, and Built-in



Air-cooled type cooler

### SPECIFICATION

Max working pressure *1	MPa	1.0
Max working temperature	Inside of tube	℃ 150
	Outside of tube	℃ 50
Ambient conditions	Temperature	℃ -10~50
	Relative humidity	% ≤RH90
	Place of installation	Indoor *2
Fluid type	Mineral oil, Water glycol fluid *3	

Model code		5061A		6061A		5061A		6061A	
		H1	HS1	H1	HS1	V1	VS1	V1	VS1
Material	Radiator	Aluminum							
	Case · Guard	Steel plate							
Coating	Radiator	Black							
	Case	Ivory							
	Fan motor	Ivory							
Weight (With Fan guard) kg		44	42(44)	62	53(56)	49	31(33)	77	47(50)

Model code	Frequency (Hz)	Rated voltage (V)	Rated current (A)	Rated power (W)	Sound level *4 (dB)
ATF-5061A 200V class	50 / 60	200~220	1.1~1.3 / 0.91~0.99	200	53.5 / 57.3
ATF-5061A 400V class		380-400-415 / 400~440	0.52-0.55-0.58 / 0.46~0.50		
ATF-6061A 200V class		200~220	1.8~2.1 / 1.7~1.8	400	58.0 / 61.5
ATF-6061A 400V class		380-400-415 / 400~440	0.85-0.90-0.98 / 0.85~0.88		
Common to all models Three phase, 4P, Built-in thermal protection(except 400V class), UL · TUV standard and other special spec are available					

### MODEL CODE

<Model code example>

**ATF** - **5061A** - **HS1** - **G** - **2**

Code	Heat transfer area
5061A	10.2m <sup>2</sup>
6061A	14.2m <sup>2</sup>

Code	Installation type
H1	Horizontal with case
HS1	Horizontal without case
V1	Vertical with case
VS1	Vertical without case

Code	Fan guard
G	Fan guard For HS1 VS1
Blank	Non

Code	Motor voltage
2	200V class
4	400V class

- ★ Fan guard is available only when selecting HS1, VS1 model (without case)
- ★ Fan guard is for blade protection simply. To prevent injury and accident, please select "with case (H1, V1)" for installation type.
- ★ AC 200V class fan motor is standard specification. Since price and lead time of AC400V class (special specification) are different with standard type, please ask us.

# PERFORMANCE GRAPH

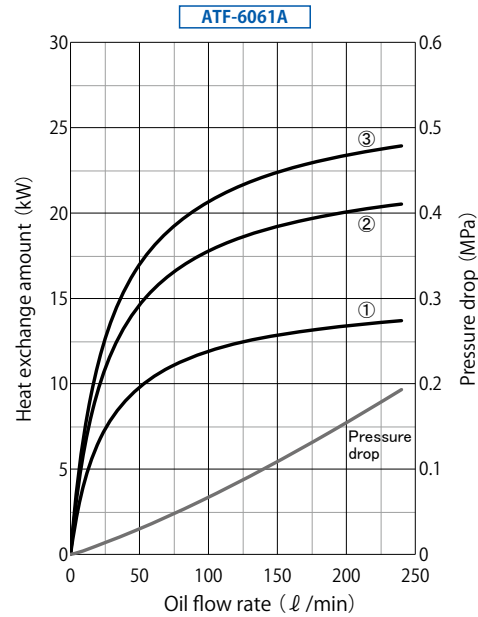
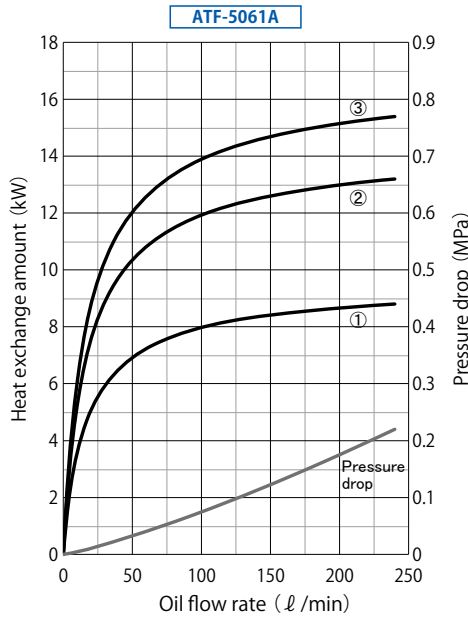
## Condition

Fluid type	Corresponding to ISO VG32
Oil inlet temperature	°C ① Room temperature +20°C ② Room temperature +30°C ③ Room temperature +35°C
Temp. of Pressure drop measurement	°C 55
Power frequency	Hz 50

## Allowable flow rate

Model code	ATF-5061A	ATF-6061A
Flow rate	ℓ/min ~240	~240

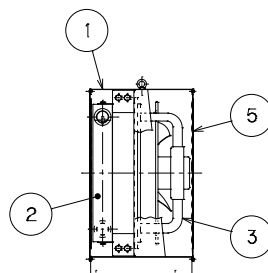
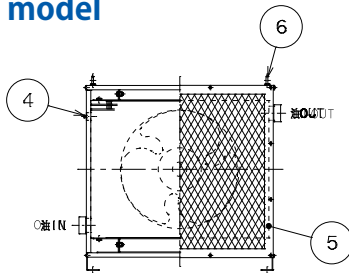
★ It is max value and It depends on each working condition.



## CROSS SECTION

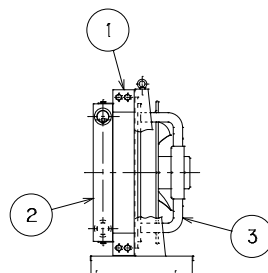
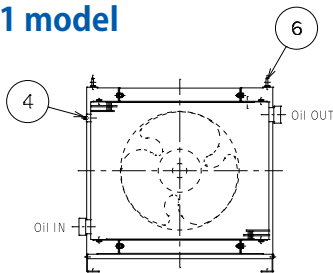
## PARTS LIST

### H1 model



No.	Item	Qty	
1	Case	1	
2	Radiator	1	
3	Fan motor	1	
4	Air vent valve	1	
5	Guard net	H1	2
		V1	1
6	Eye bolt	2	

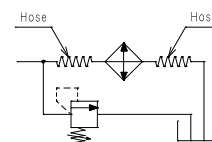
### HS1 model



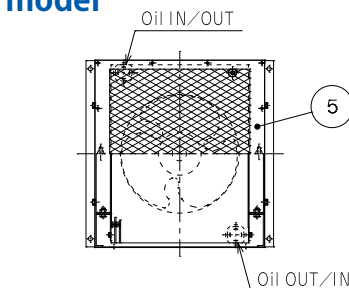
### <About pressure surge>

Allowable pressure fluctuation range is within 0.3MPa when using in a hydraulic circuit with repeated pressure fluctuation. Please do not install a component (filter or relief valve) after oil cooler in hydraulic circuit. Since our air-cooled type oil cooler (ATL, ATK, ATS, ATF) is aluminum radiator and it expands greatly, fluctuating pressure and vibration may cause breakdown of product. Moreover, please be sure that there is no rapid change of oil level in tank.

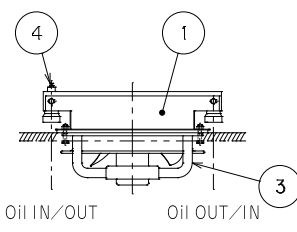
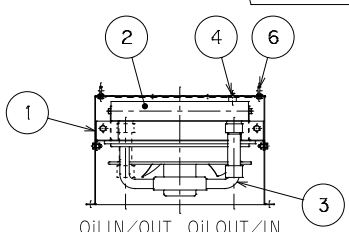
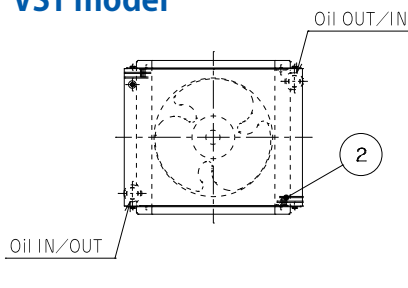
### Recommended piping ex.



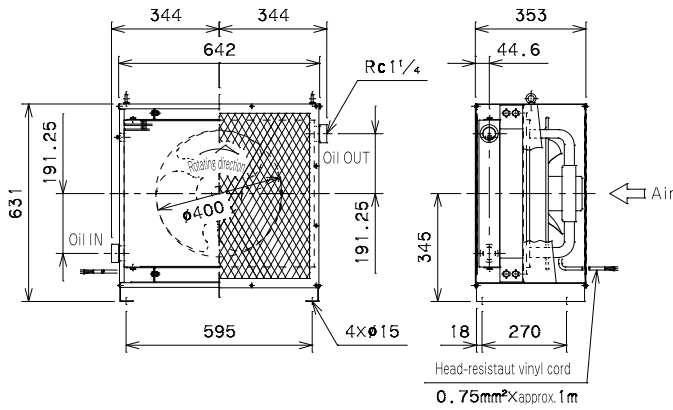
### V1 model



### VS1 model

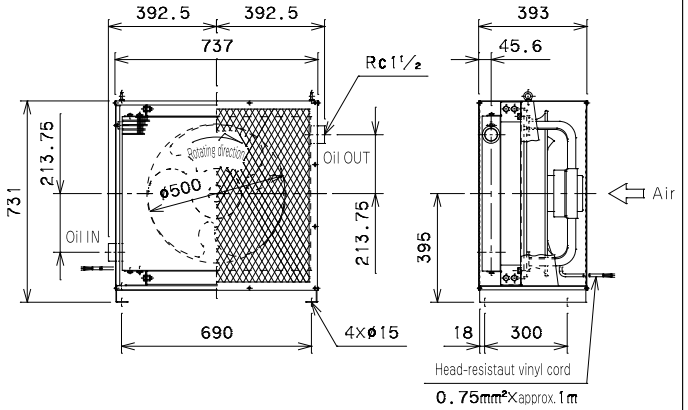


ATF-5061A-H1-□

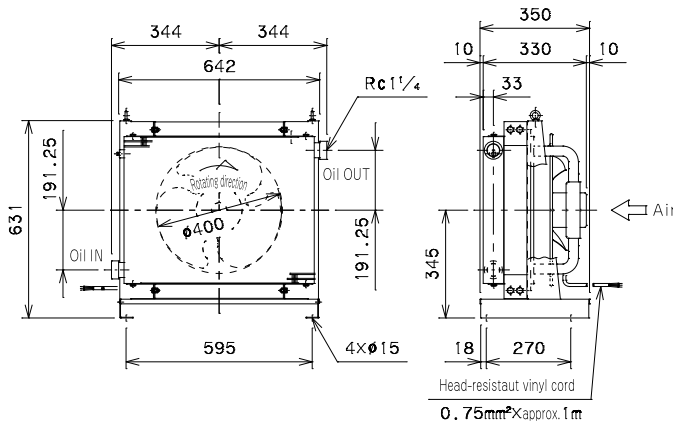


ATF-6061A-H1-□

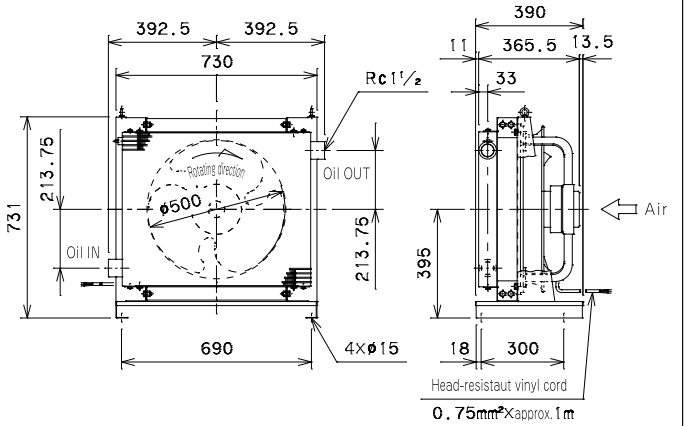
Unit : mm



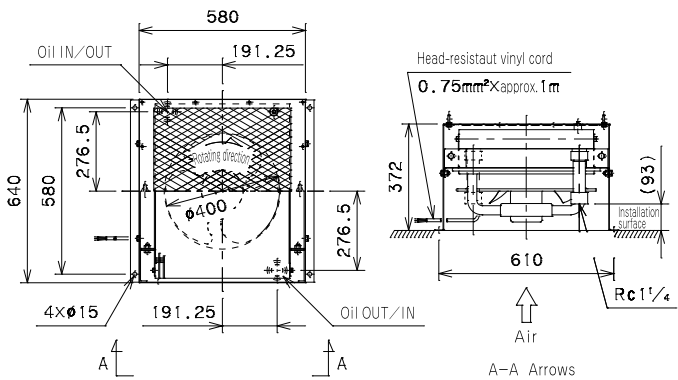
ATF-5061A-HS1-□



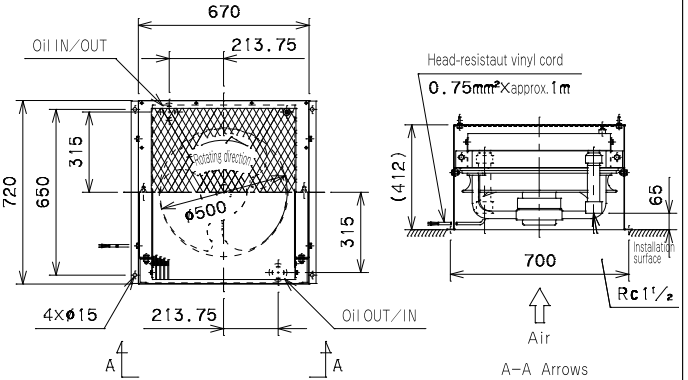
ATF-6061A-HS1-□



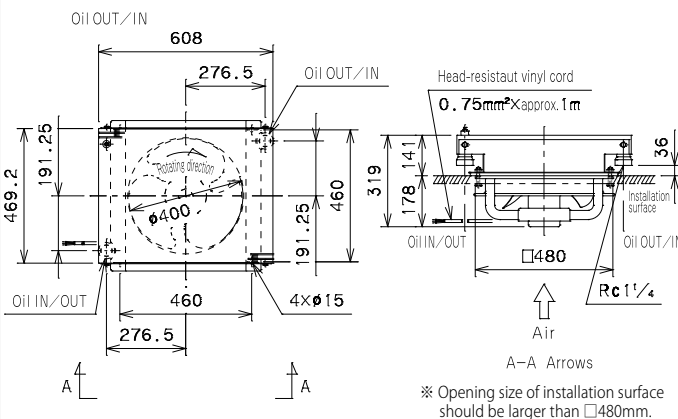
ATF-5061A-V1-□



ATF-6061A-V1-□



ATF-5061A-VS1-□



ATF-6061A-VS1-□

