

1. Maximum operating pressure: 1 MPa
2. Line filter with inner diameter 04A to 200A for high flow.
3. Self-standing type with legs.
4. Indicators are available in additional options.
5. Please contact us for use of fluids other than mineral oil on O-rings and other parts.

Max. operating pressure	Max. differential pressure of element	Option	
		Indicator pressure (All red)	Relief valve opening pressure
1.0MPa	0.7MPa	0.3MPa	0.35MPa

### Part List

Part No.	Part Name	Material	Qty	Remarks
21	Relief valve	SECC,SS400,NYLON	1 set	Option
20	O-ring	NBR	1	JIS B 2401.1A
19	O-ring	NBR	1	JIS B 2401.1B
18	Indicator		1	
17	Guidance pipe	C1220T,C3771	1 set	Option
16	Name plate		1	
15	Drain plug	FcMB	1	R <sup>3</sup> / <sub>4</sub>
14	Air vent plug	FcMB	1	R <sup>1</sup> / <sub>4</sub>
13	Nut	SS400	1 set	
12	Bolt	SS400	1 set	
11	O-ring	NBR	1	TL-150,200 JIS B2401,1A
	Packing	Non asbestos	1	TL-40~100
10	O-ring	NBR	1	JIS B2401.1A
9	Nut	SS400	4*1	
8	Washer	SECC	4*1	TL-40~100
7	Seal washer	NBR,SPCC	4	TL-150,200
	Packing	NBR	4*1	TL-40~100
6	Element holder	SS400	1	
5	Packing	NBR	2	
4	Element		1	
3	Cartridge	SS400,SGP	1	
2	Cover	SS400	1	
1	Body	SS400,SGP,STKM 13A	1	

※ TL-40,50:1pc

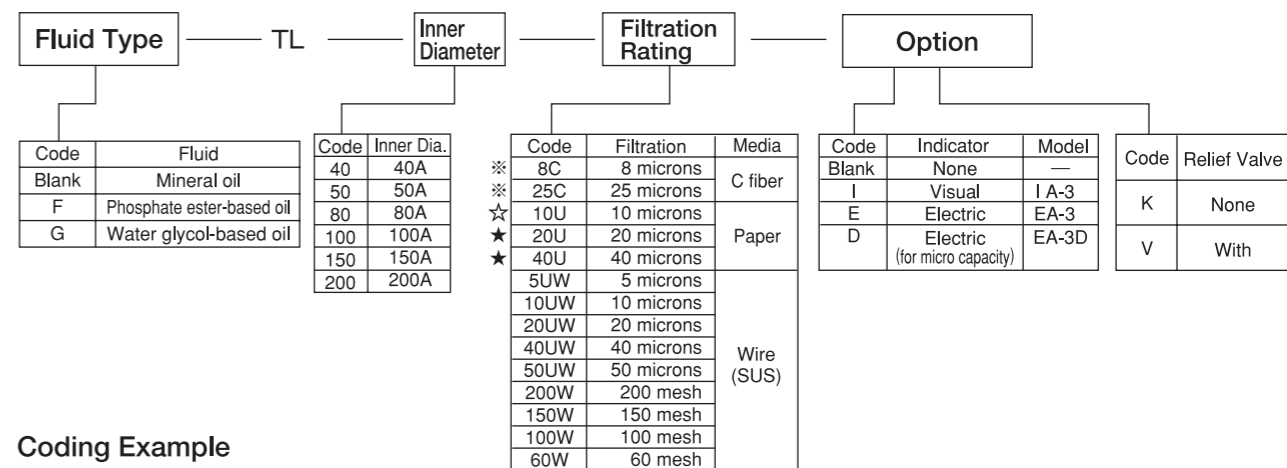
### O-ring and Packing

Model	Part No.	5	7	10	11	19	20
TL-40	t8×φ73.5/61	t2×φ20/φ10	G-115	For JIS 10K-175A,SOP,FF			
TL-50	t8×φ93/80	t2×φ20/φ10	G-140	For JIS 10K-200A,SOP,FF			
TL-80	t2×φ153/116	t2×φ17/8.5	G-165	For JIS 10K-250A,SOP,FF	P-18	P-14	
TL-100	t2×φ165/124	t2×φ17/8.5	G-190	For JIS 10K-300A,SOP,FF			
TL-150	t2×φ210/165	For M12 Seal washer	G-240	P-375			
TL-200	t2×φ260/208	For M16 Seal washer	G-290	P-505			

### Dimensions and Standard Flow Rates

Model	Symbol	Inner Dia.	H	H1	H2	H3	H4	A	B	T	C	D	d2	Element		Standard Flow Rate (l/min)	Mass (kg)
														h	d1		
TL-40	JIS10K-40AFF	650	460	120	70	150	360	190.7	12	260	220	15	250	102.2	350	300	Approx. 70
TL-50	JIS10K-50AFF	730	520	140	70	150	380	216.3	12	300	260	15	300	124	420	450	Approx. 80
TL-80	JIS10K-80AFF	935	660	185	90	200	450	267.4	16	340	300	19	400	153	550	800	Approx.106
TL-100	JIS10K-100AFF	985	670	225	90	200	500	318.5	16	400	350	19	400	165	600	1500	Approx.139
TL-150	JIS10K-150AFF	1160	760	300	100	200	550	355.6	16	450	380	23	500	210	750	2500	Approx.225
TL-200	JIS10K-200AFF	1310	860	350	100	200	700	457.2	16	550	480	23	600	260	850	3000	Approx.330

### Model Code



Coding Example  
F-TL-40-10U-EV

※ 8C: β<sub>0.5</sub> ≥ 200  
25C: β<sub>25</sub> ≥ 200  
★ Not to be used with water glycol-based oil.  
☆ Filter media used for water glycol-based oil differs from that for mineral oil.

### Spares

#### Element

P — Fluid Type — TL — Inner Diameter — Filtration Rating  
Coding example : P-F-TL-40-10U

#### Sealing parts set

● For element replacement (Part No. with ◎ in “O-ring and packing”.)

SP — Fluid Type — TL — Inner Diameter  
Coding example : SP-F-TL-40

● For overhaul

SA — Fluid Type — TL — Inner Diameter — Indicator  
Coding example : SA-TL-40-E

### Flow Rate Chart

● ISO VG32 ● Viscosity: 32 cSt (40°C)

